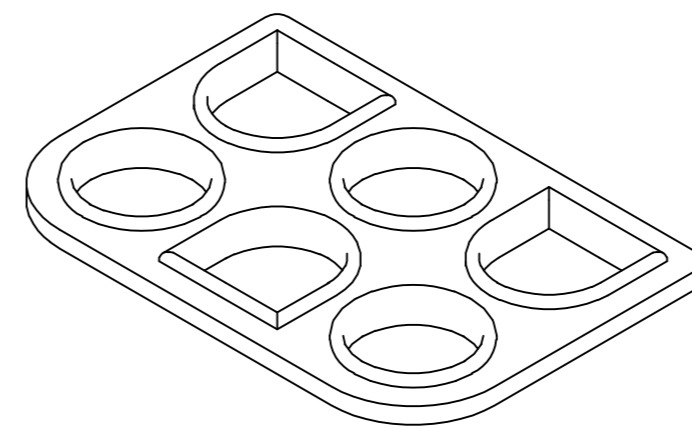
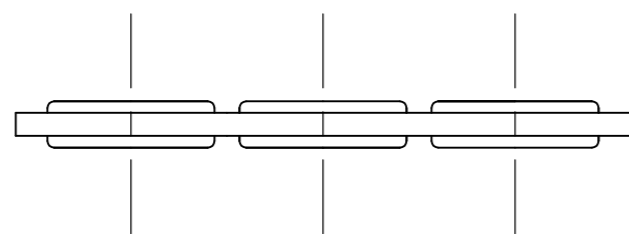
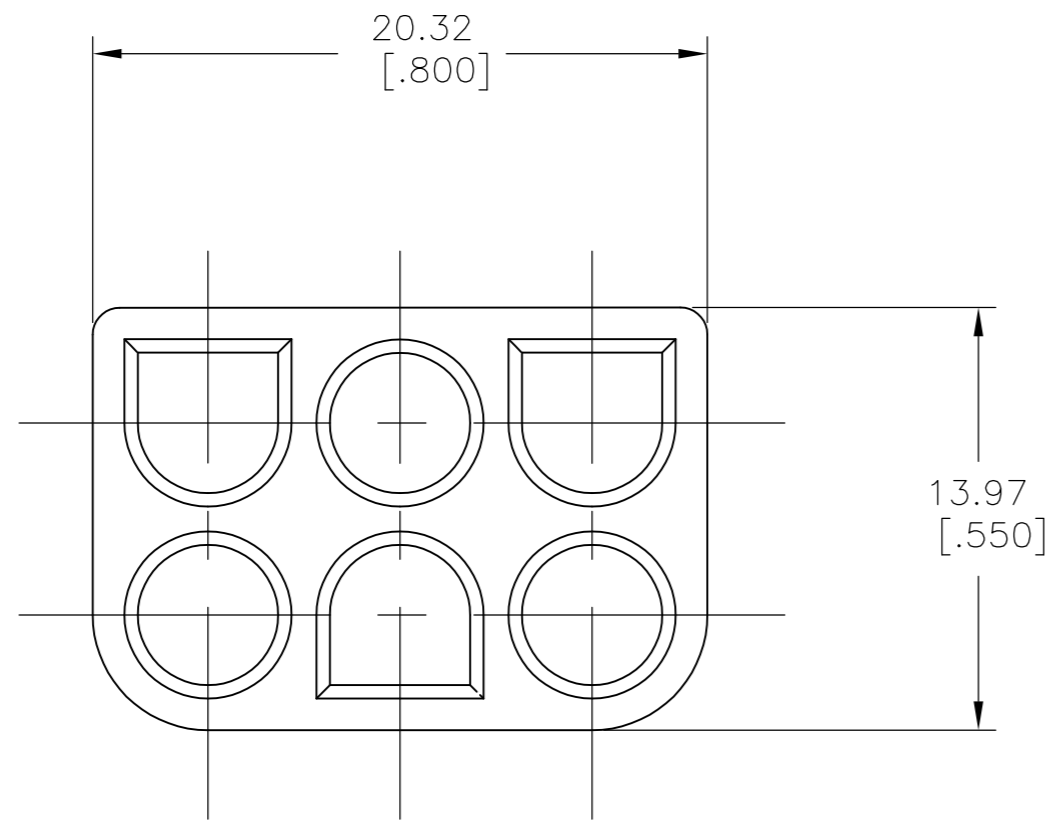


THIS DRAWING IS UNPUBLISHED. RELEASED FOR PUBLICATION
 © COPYRIGHT - By - ALL RIGHTS RESERVED.

LOC	DIST	REVISIONS					
		P	LTR	DESCRIPTION	DATE	DWN	APVD
CM	53						
		C		REVISED PER ECR-12-011218	08OCT12	KH	TM

- 1 MATERIAL: SELF LUBRICATING SILICON RUBBER
COLOR: BLUE
- 2 DIMENSIONS IN BRACKETS ARE IN INCHES.



3-DIMENSIONAL MODEL
NTS

794275-1
PART NUMBER

THIS DRAWING IS A CONTROLLED DOCUMENT.		DWN	B. LEWIS	3-25-97		TE Connectivity		
DIMENSIONS: mm [INCHES]		CHK	R. SWING	3-25-97		NAME		
TOLERANCES UNLESS OTHERWISE SPECIFIED:		APVD	D. SELF	3-25-97		INTERFACE SEAL,6 CIRCUIT, UNIVERSAL MATE-N-LOK™		
0 PLC ± - 1 PLC ± - 2 PLC ± 0.38[.015] 3 PLC ± - 4 PLC ± - ANGLES ± 0°30'		PRODUCT SPEC	-			SIZE	CAGE CODE	DRAWING NO
MATERIAL		FINISH	-		WEIGHT	-		RESTRICTED TO
		-		-		A2	00779	C=794275
-		-		-		CUSTOMER DRAWING		SCALE 4:1 SHEET 1 of 1 REV C